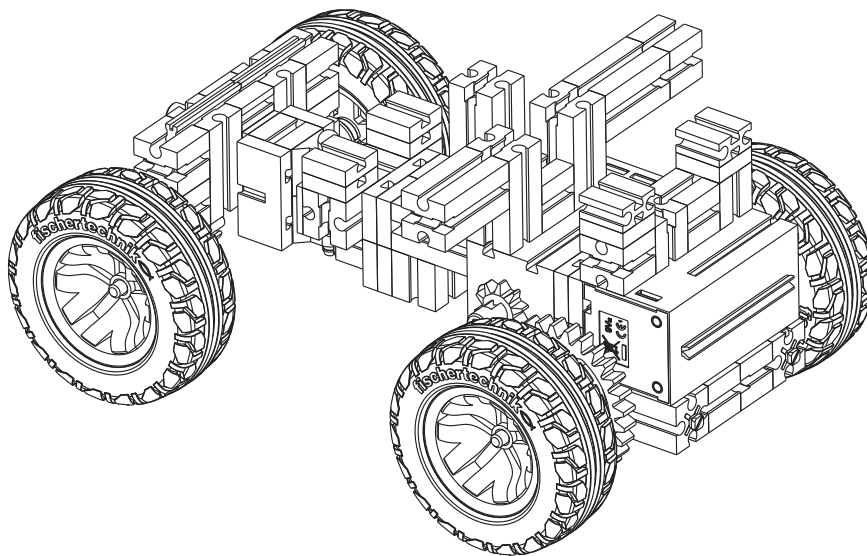


model XM65DW - 2 - 10:30

model XM65DW - 2 - 10:30




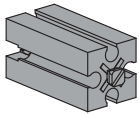
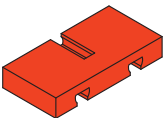
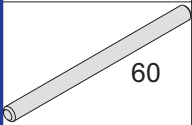
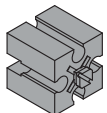
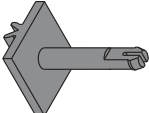
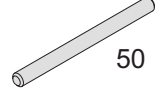

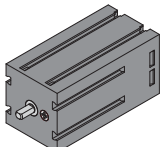

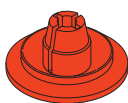
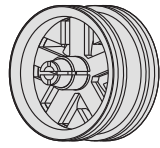
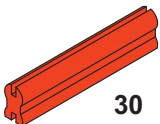


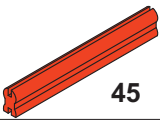
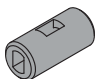
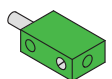

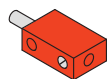


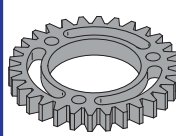

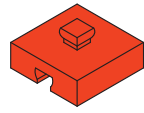
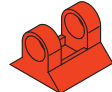
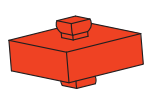
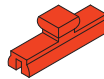
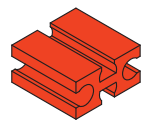
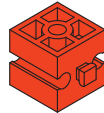

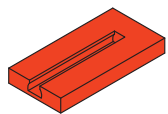

 didacta  
advance

Travnička 18, 40000 Čakovec , Croatia (EU)

[www.didacta.hr](http://www.didacta.hr)

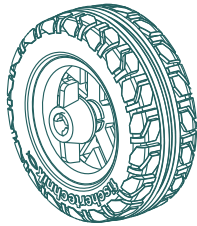
**fischertechnik** 

## model XM65DW - 2

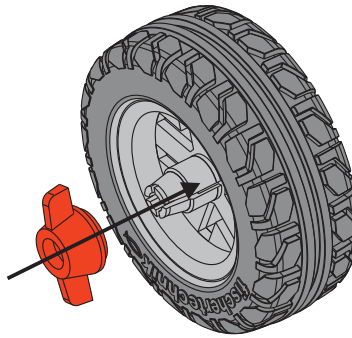
	31023 x 4		32879 x 13		38428 x 5
	31032 x 2		32881 x 17		130593 x 1
	31033 x 2		32882 x 9		135485 x 2
	31058 x 2		35031 x 2		163205 x 4
	31061 x 5		35033 x 4		163206 x 4
	31330 x 2		35073 x 1		
	31336 x 6		35945 x 2		
	31337 x 6		35969 x 6		
	31360 x 1		36264 x 2		
	31426 x 2		37237 x 8		
	31436 x 2		37238 x 14		
	31982 x 4		37468 x 7		
	32064 x 5		38246 x 2		
	32330 x 1				
	32870 x 1				


model XM65DW - 2

1

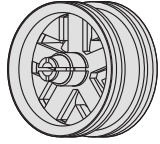


4 x **1**






35033 x 4

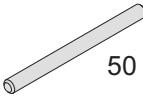


163205 x 4




163206 x 4

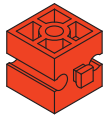
**1**



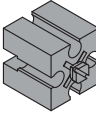
50  
31033 x 2



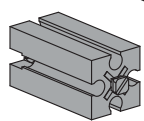
31023 x 2



32064 x 2

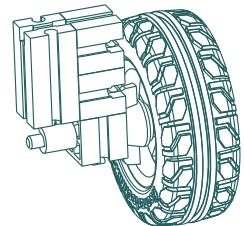
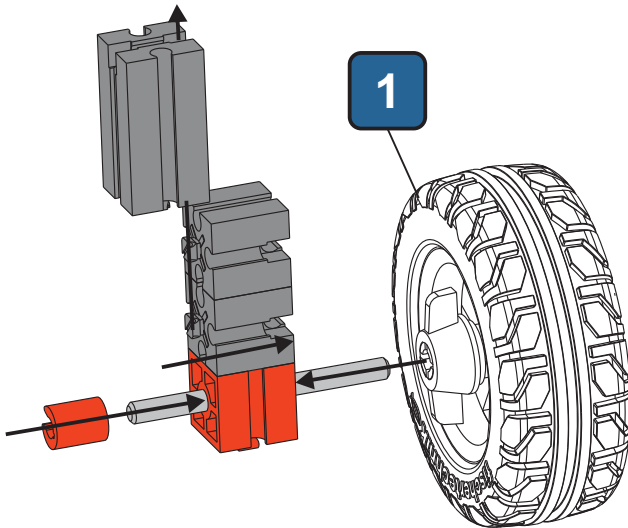


32881 x 4

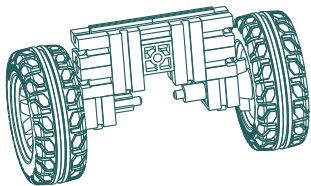


32879 x 2

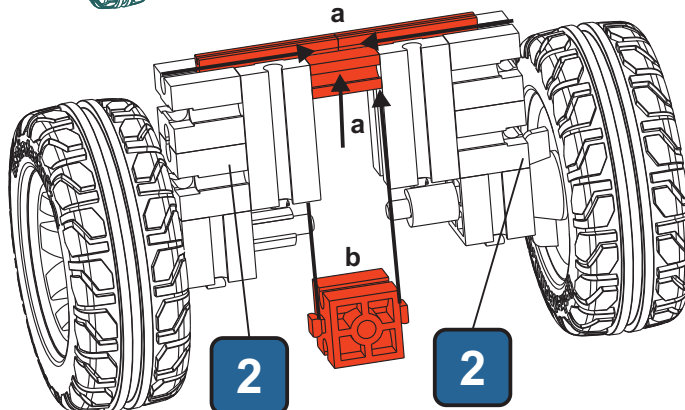
**2**




2 x **2**

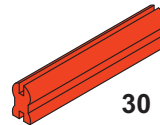


**3**

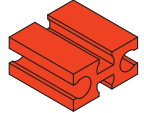




32064 x 1



30  
31061 x 2

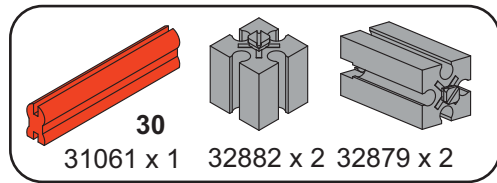
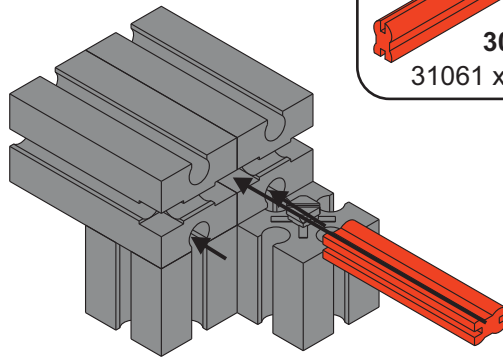
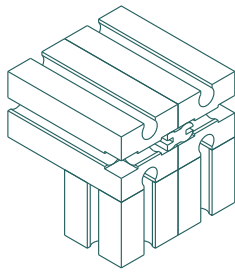


37468 x 1

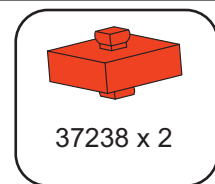
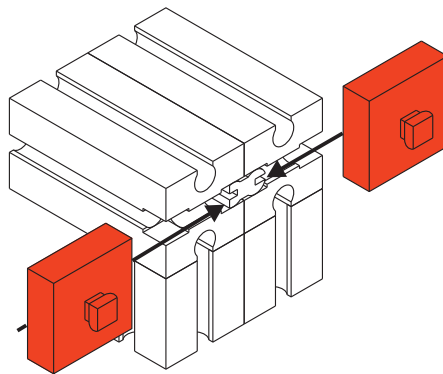
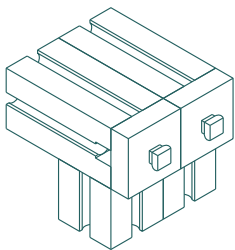
**3**

model XM65DW - 2

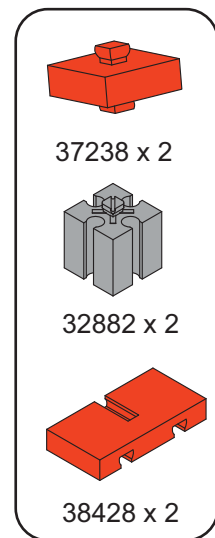
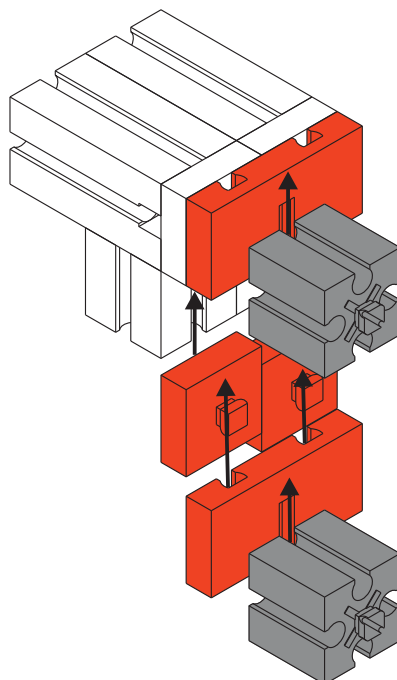
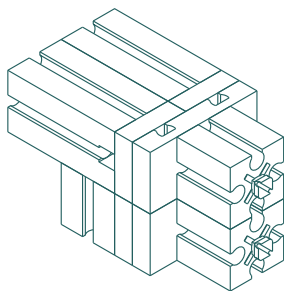
2



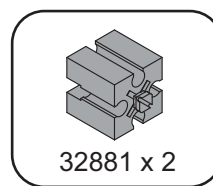
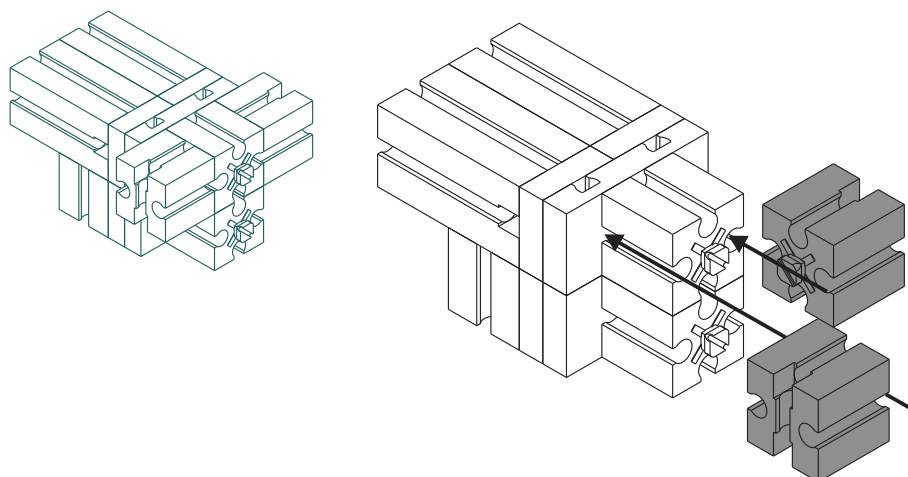
1



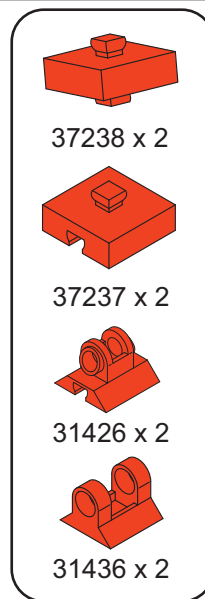
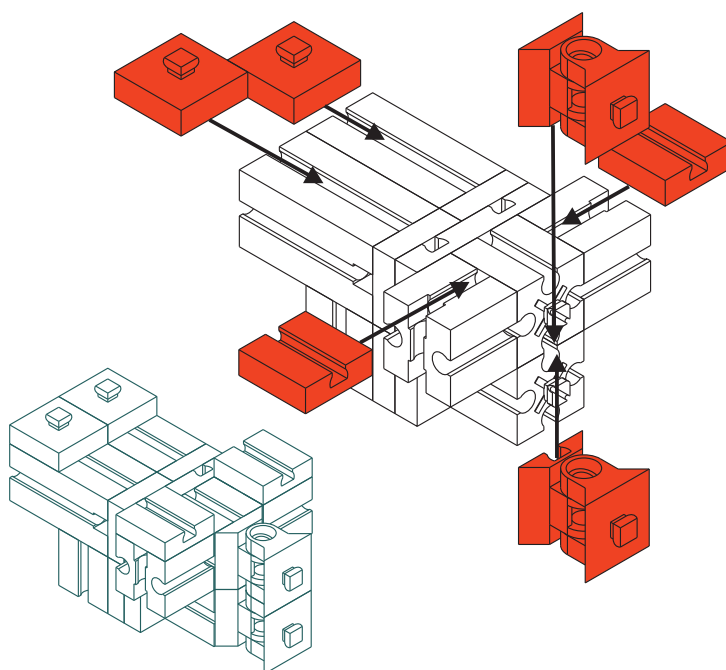
2



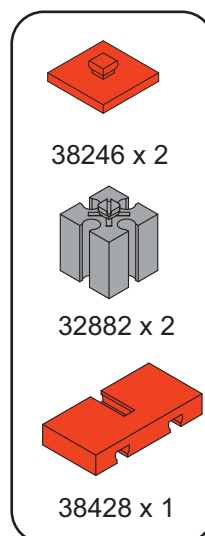
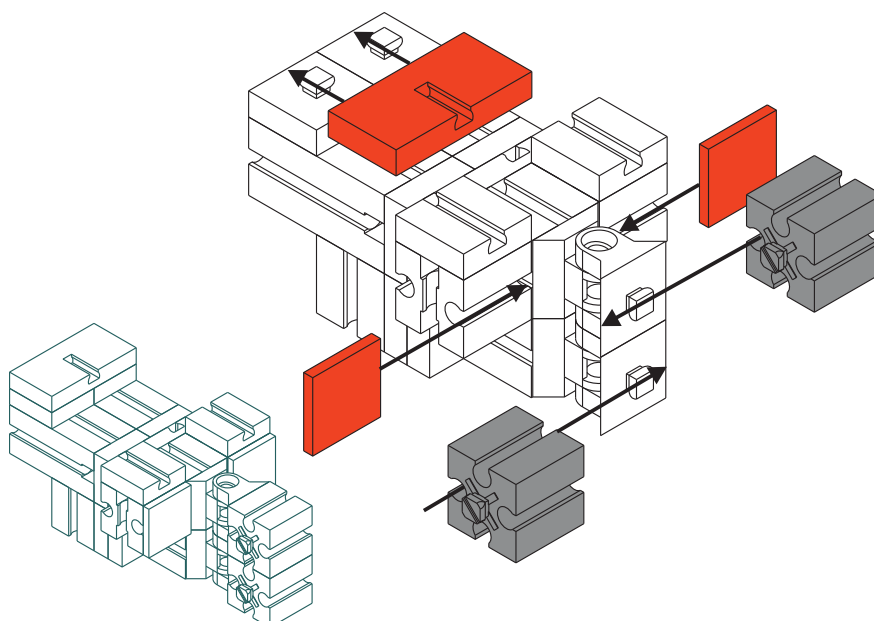
3



4



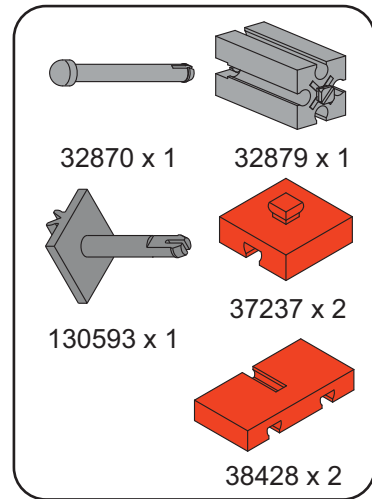
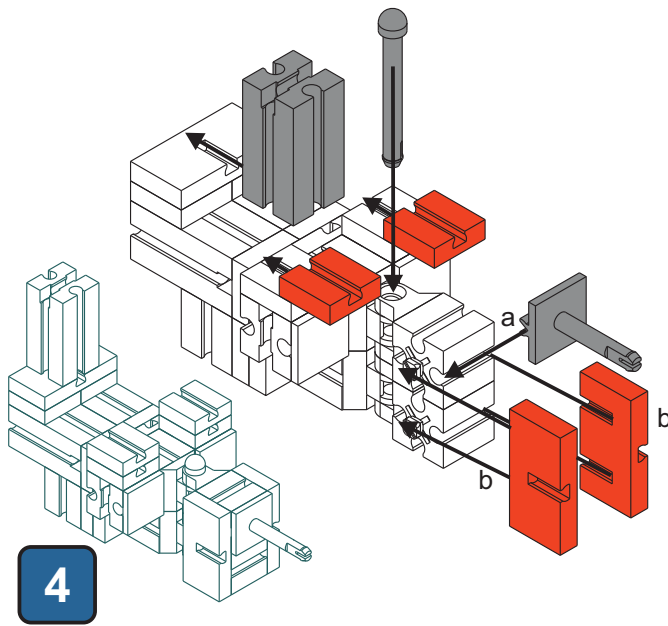
5



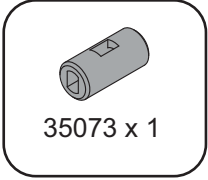
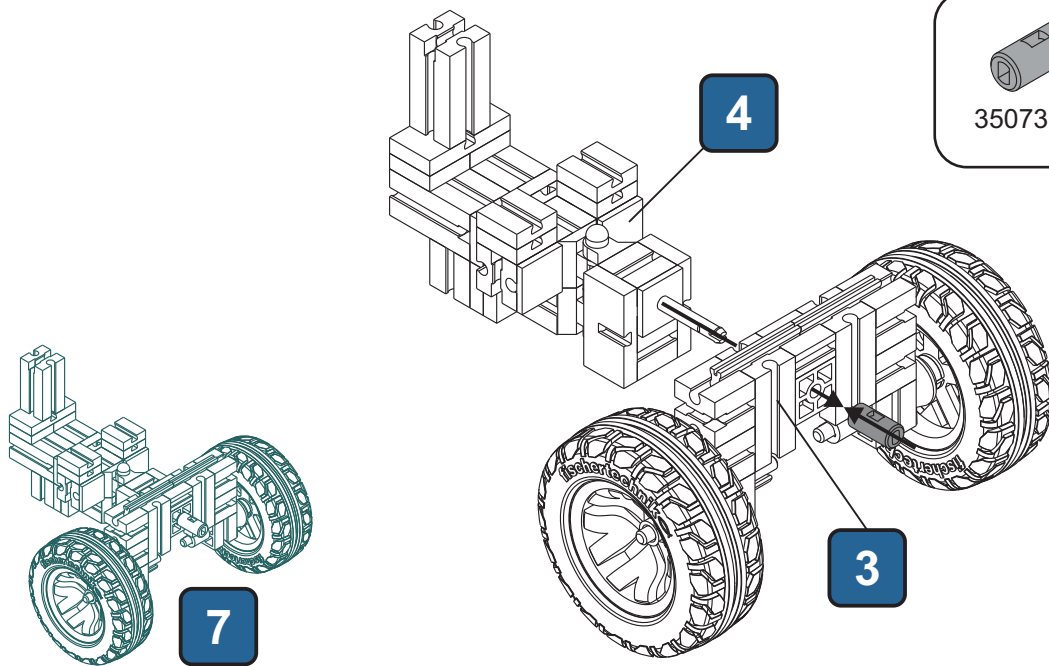
6

model XM65DW - 2

4



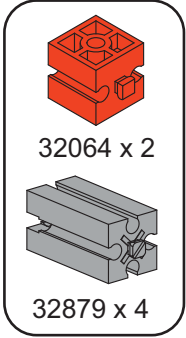
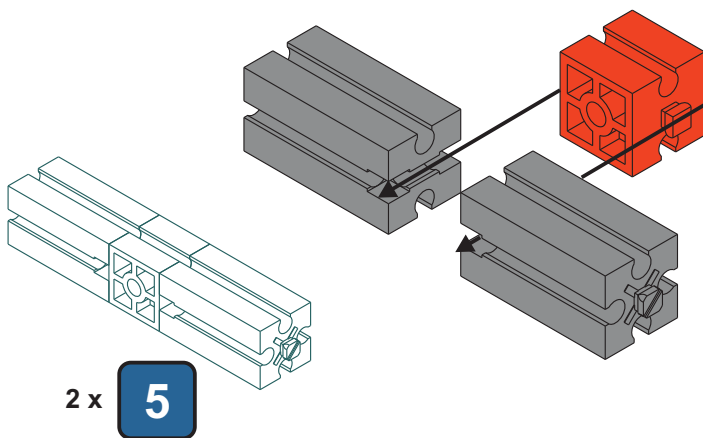
4



4

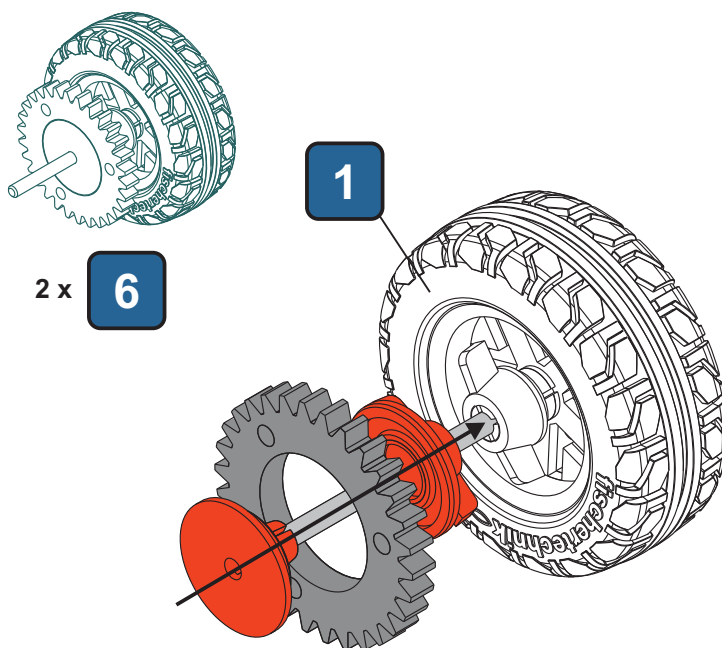
3

7

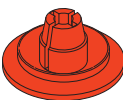
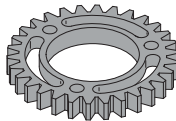
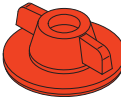
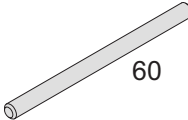


2 x 5

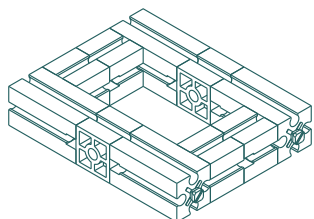
1




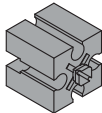
**1**

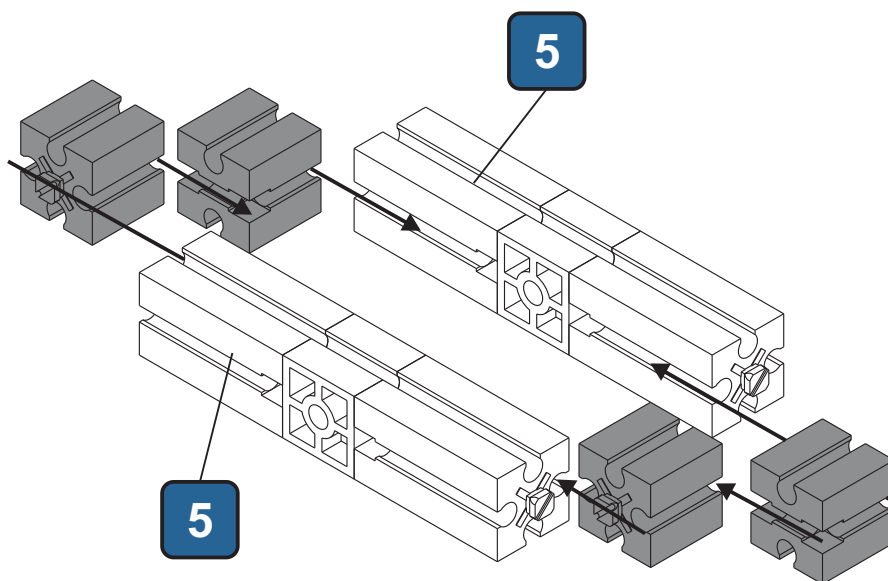
	
35031 x 2	36264 x 2
	
31058 x 2	31032 x 2 60

**FRONT WHEEL DRIVE ASSEMBLY**

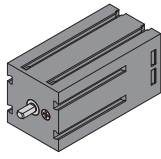
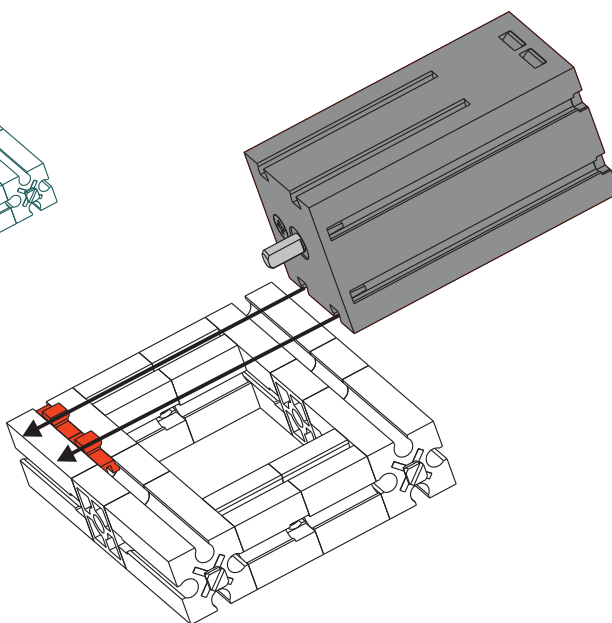
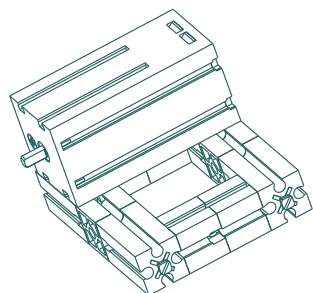


**1**

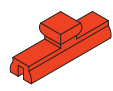
	
32882 x 2	32881 x 2



model XM65DW - 2

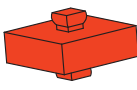
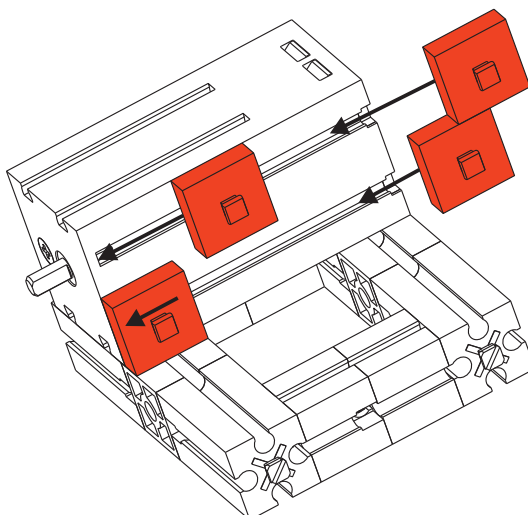
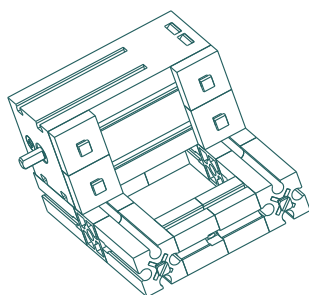


135485 x 1



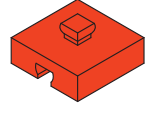
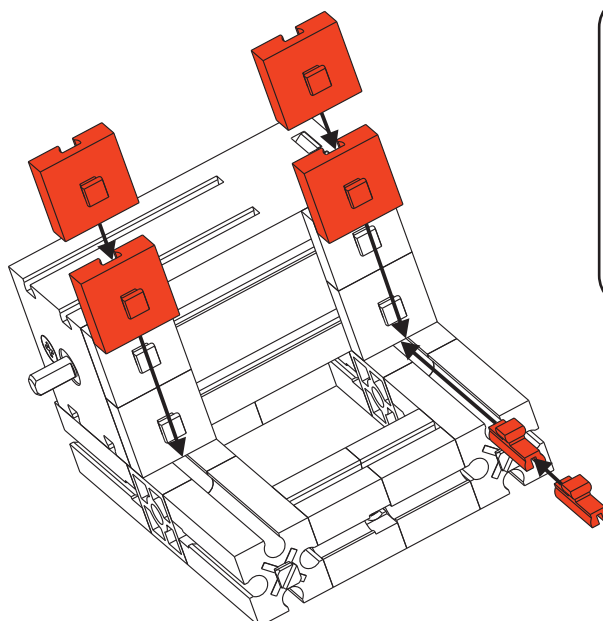
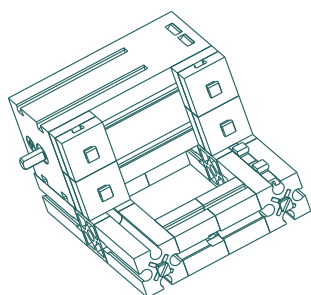
31982x 2

2

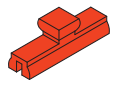


37238 x 4

3



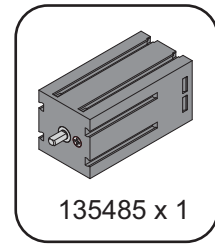
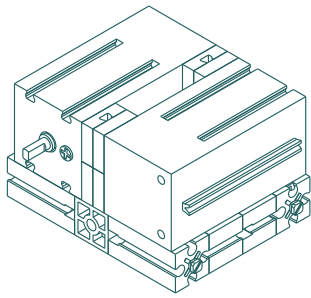
37237 x 4



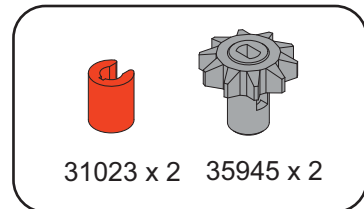
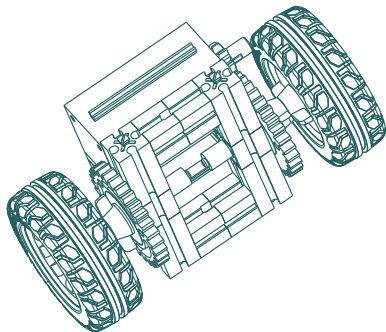
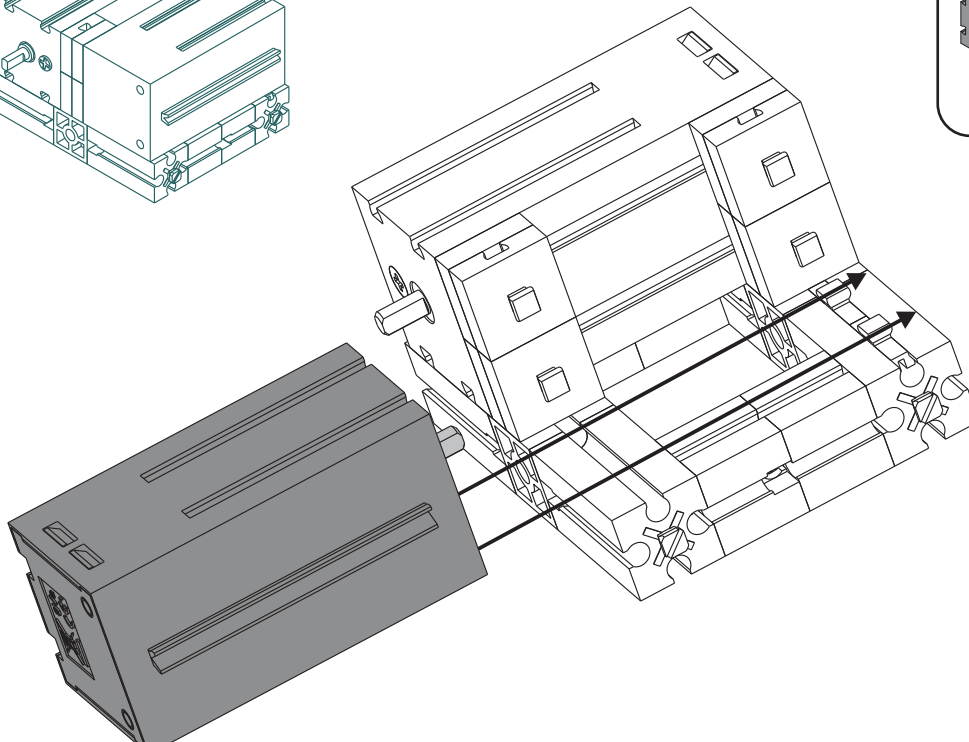
31982x 2

4

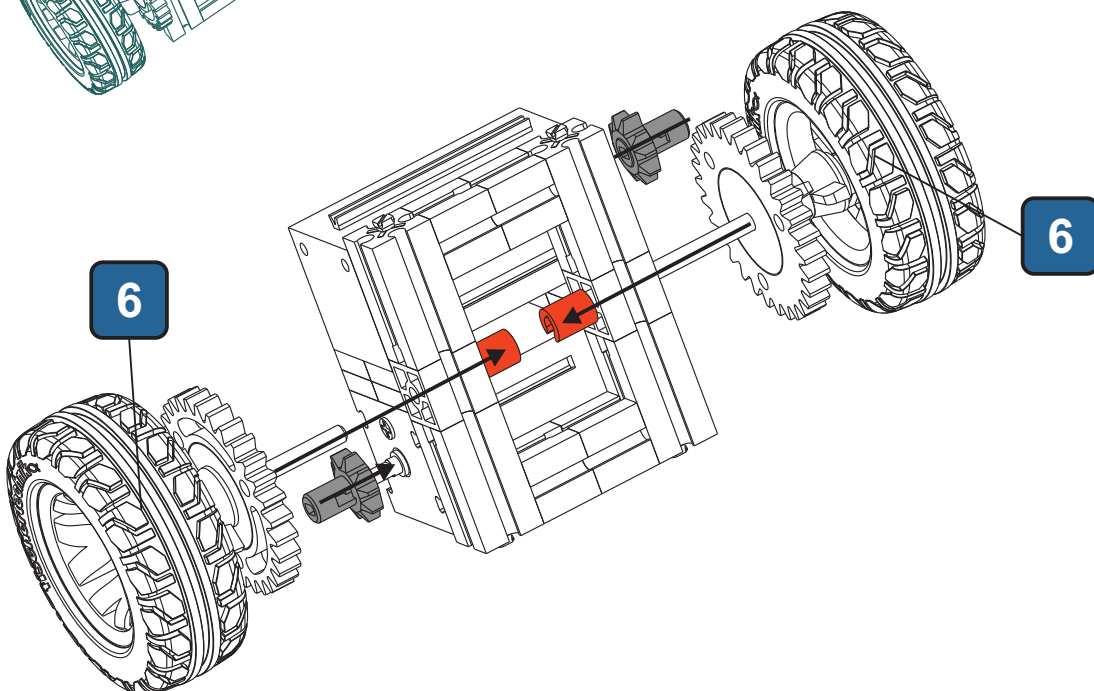




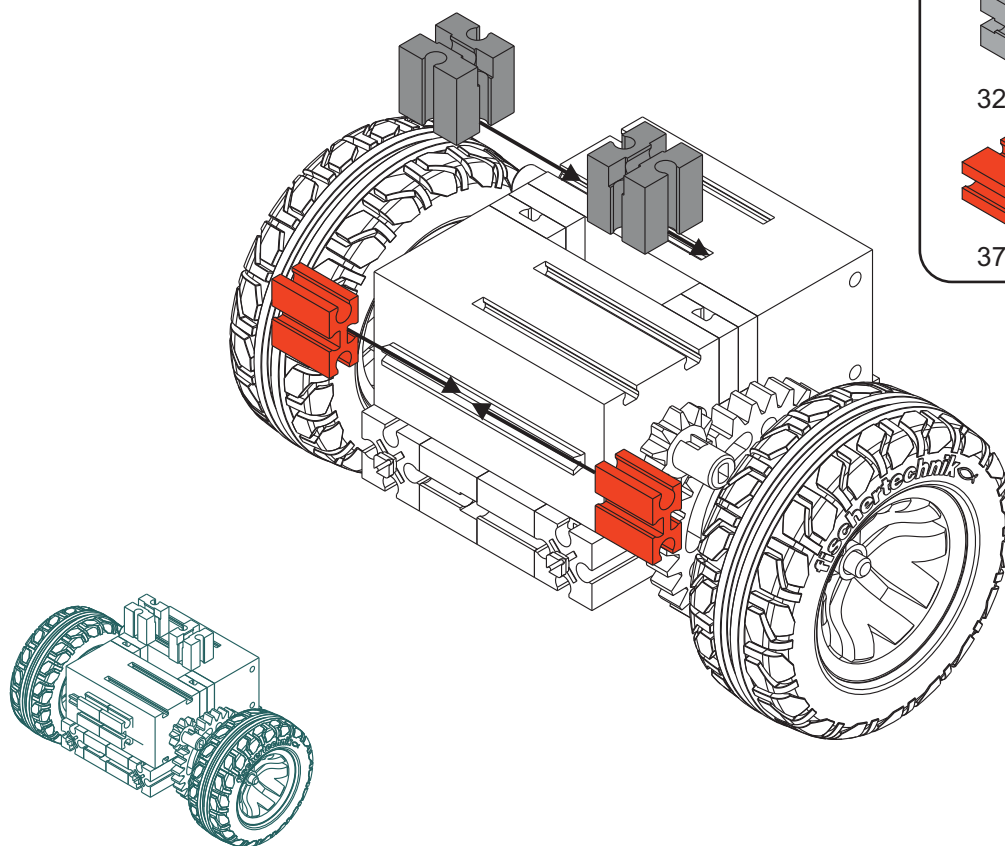
5

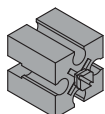
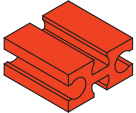


6

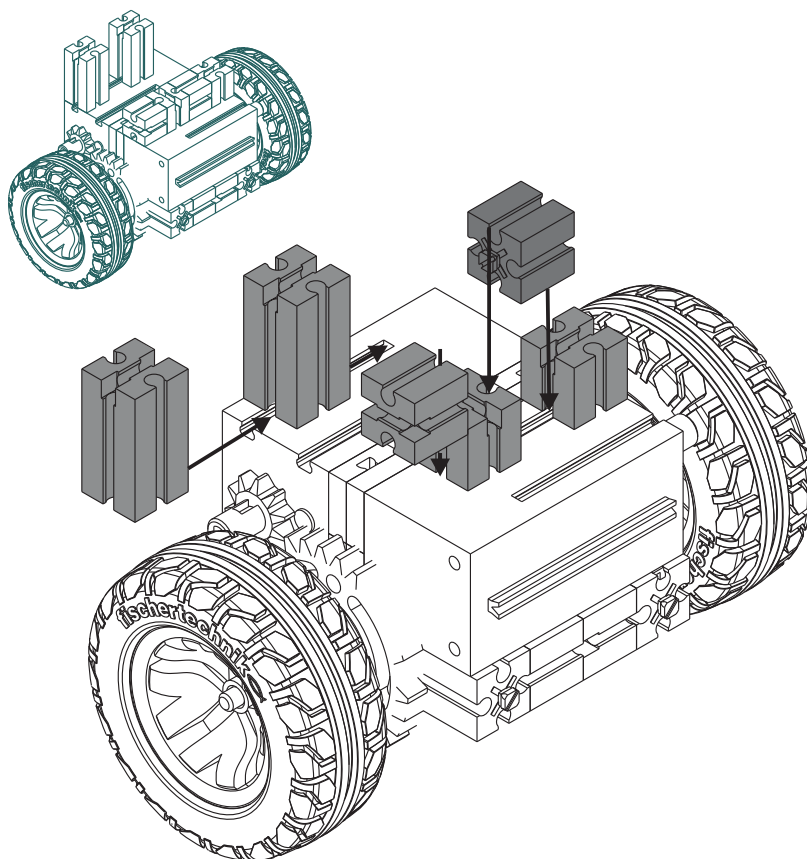


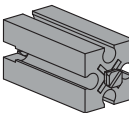

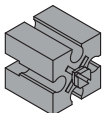
7

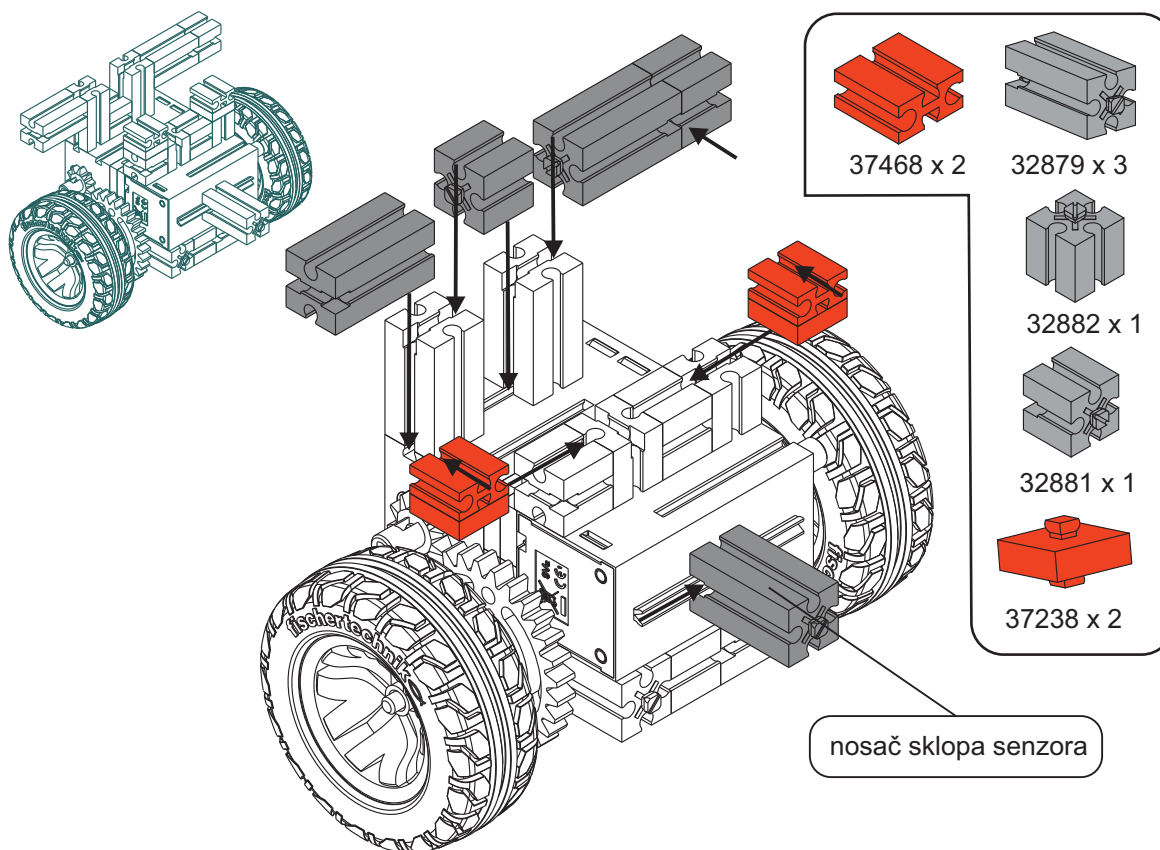


-  32881 x 2
-  37468 x 2

8

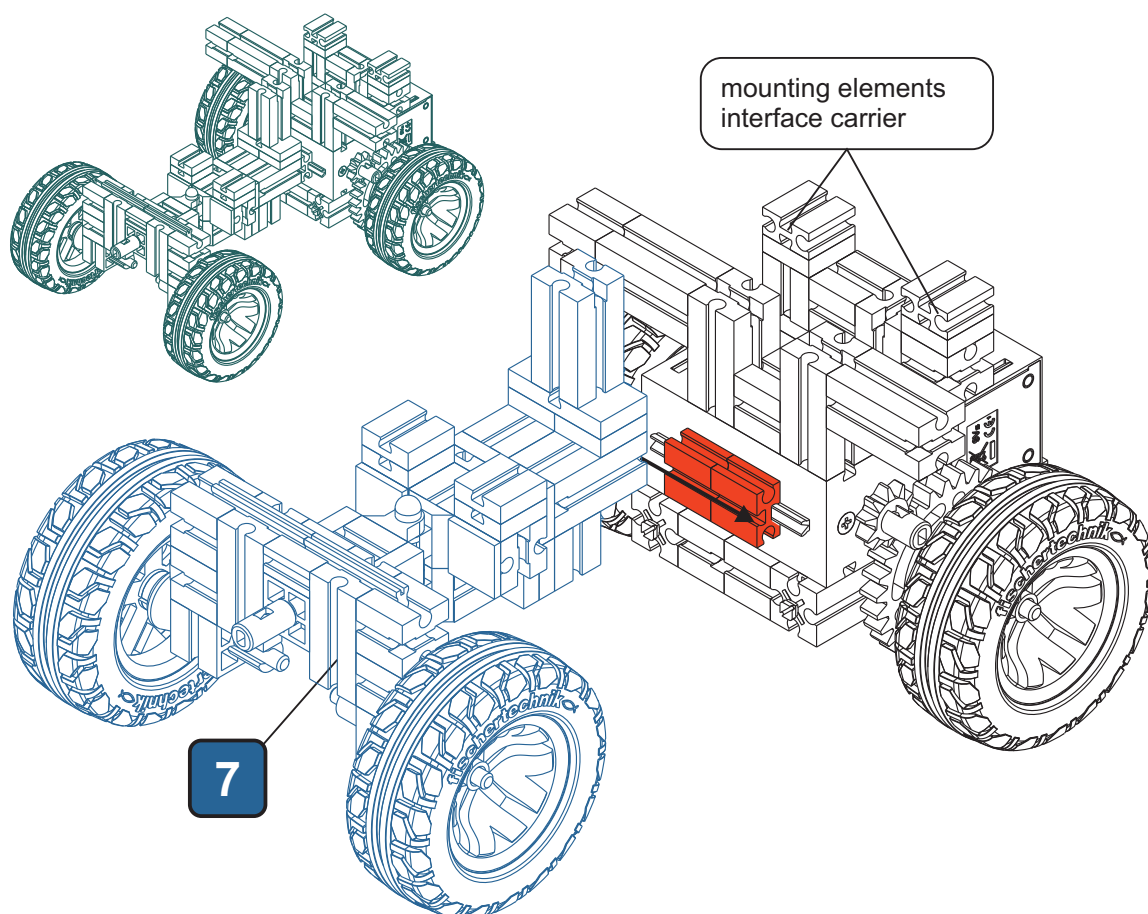


-  32879 x 2
-  32882 x 1
-  32881 x 3



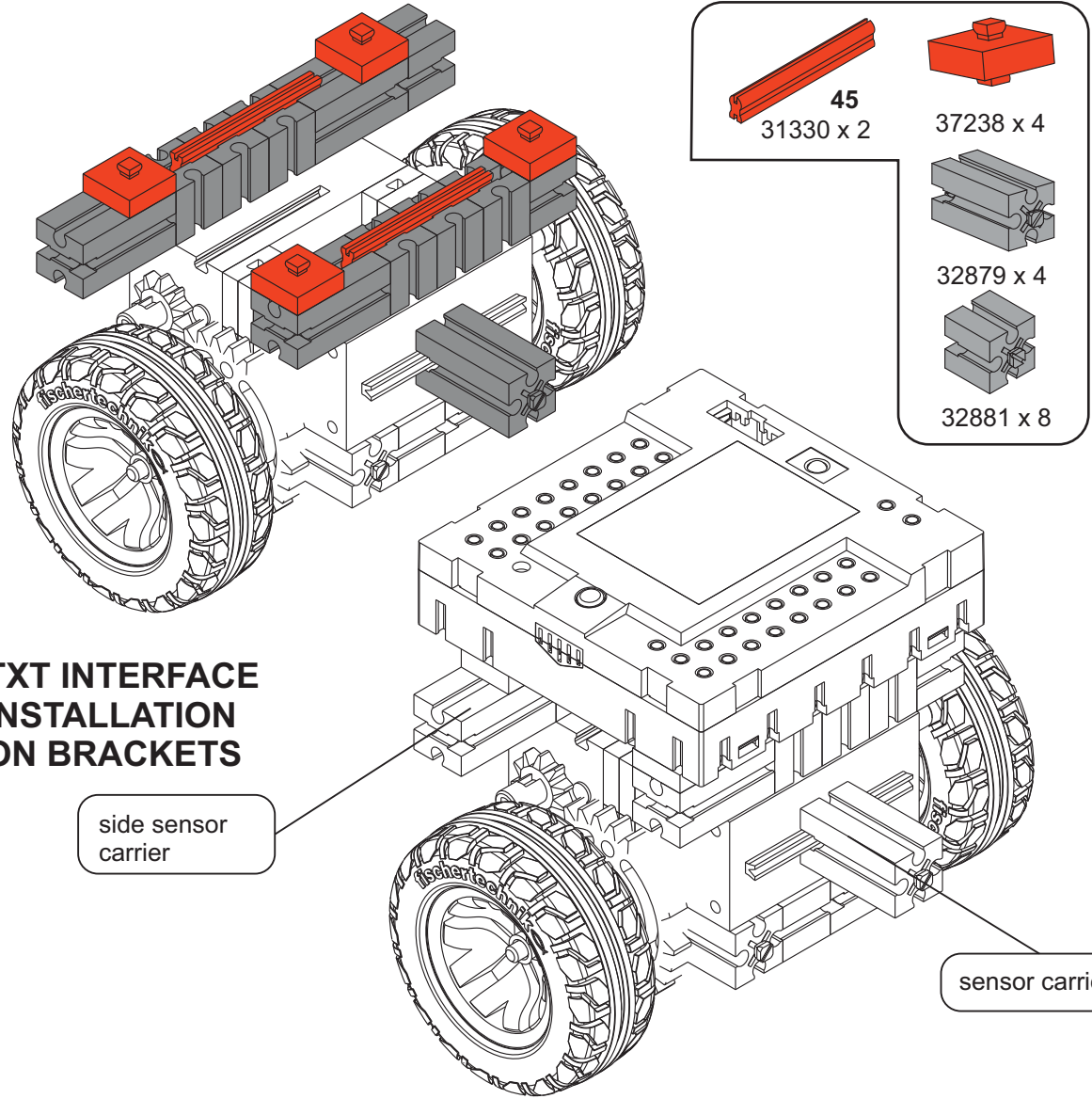
9

CONNECTING THE REAR WHEEL ASSEMBLY TO THE DRIVE ASSEMBLY



1

### TXT INTERFACE BRACKET



### IR AND COLOR SENSOR ASSEMBLY

